



**SERIES M23..... - HP 0,30 KW 0,23**

PERFORMANCE AND DIMENSIONS								
Model	Free speed Turns / 1'	Speed at maximum Power Turns / 1'	Maximum torque Power Nm	Couple at the cue nm	Stall torque Nm	Quote "L" mm	Weight Kg.	Consumption l/sec
	6,3 bar	6,3 bar	6,3 bar	6,3 bar	6,3 bar			
	HP 0.26	HP 0.26	HP 0.26	HP 0.26	HP 0.26			
M23R1	14000	7000	0.31	0.46	0.62	120	0.90	7.8
M23R1A	3920	1960	1.1	1.7	2.2	120	0.90	7.8
M23R1B	2180	1090	2	3	4	120	0.90	7.8
M23R1C	1760	880	2.5	3.8	5	120	0.90	7.8
M23R1D	870	435	5	7.5	10	152.5	1.20	7.8
M23R2	480	240	9.2	14	18	152.5	1.20	7.8
M23R2A	380	190	12	17	23	152.5	1.20	7.8
M23R2B	240	120	18	27	37	152.5	1.20	7.8
M23R2C	140	70	32	47	63	203.5	2.6	7.8
M23R2D	110	55	40	60	80	203.5	2.6	7.8
M23R3	80	40	55	83	110	203.5	2.6	7.8
M23R3A	60	30	74	110	147	203.5	2.6	7.8
M23R3B	50	25	88	132	176	203.5	2.6	7.8
M23R3C	40	20	110	165	220	322	5	7.8
M23R3D	30	15	147	220	293	322	5	7.8
M23R4	20	10	220	330	440	322	5	7.8
M23R4A	14	7	313	469	626	322	5	7.8

**AVAILABLE VERSIONS**

- N** - No lube
- F** - Flange fixing
- A** - Atex Certification

**VERSIONS NOT AVAILABLE**

- N** - Non-reversible (right-hand rotation)
- S** - Non-reversible (counterclockwise rotation)

**Lubrication:** 2-3 drops/1' in continuous service  
4-6 drops/1' in intermittent service

**Filtration:** 64 µ o migliore

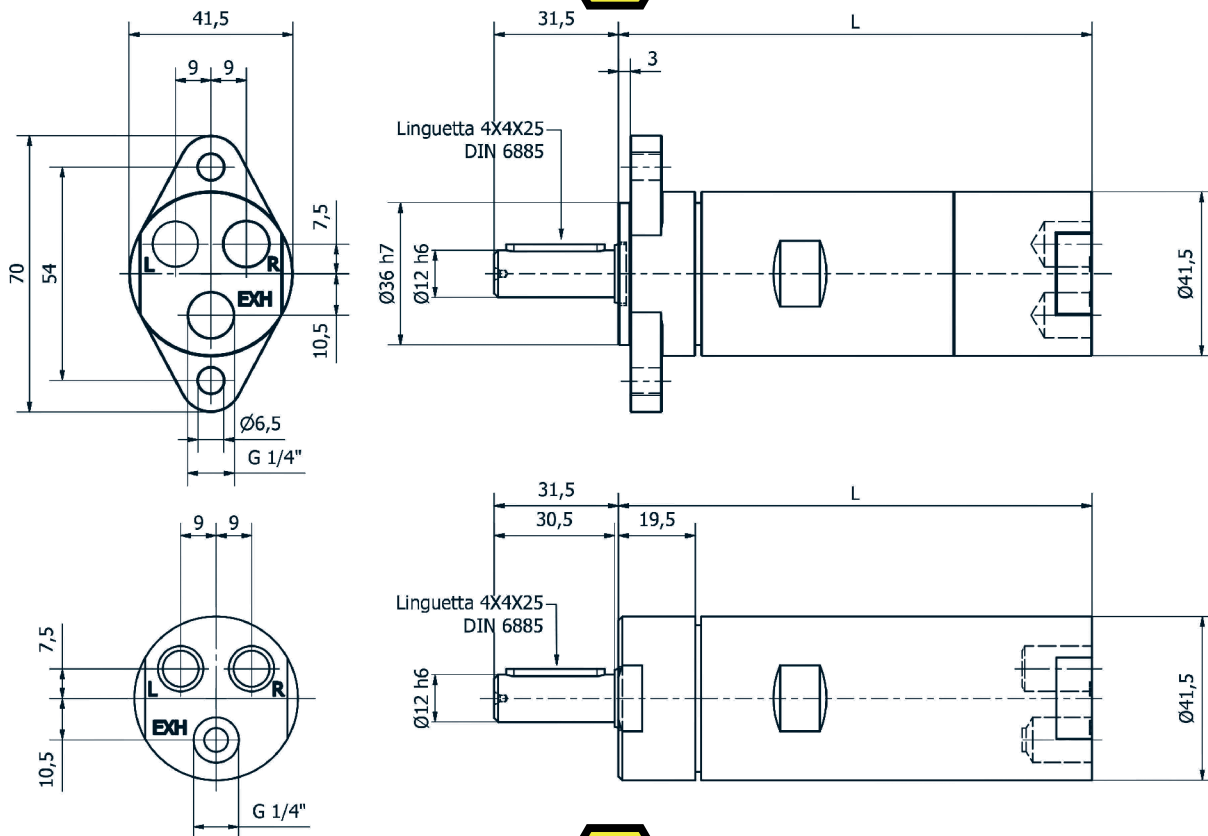
**Radial load:** 1300 N max da R1 a R2B  
3900 N max da R2C a R4A

**Axial load:** 1000 N max da R1 a R2B  
1800 N max da R2C a R4A

**Temperature operating:** da -20°C a +80°C



## MODELS DA M23R1 A M23R2B



## MODELS DA M23R2C A M23R3B

