

SERIES M55..... - HP 0,83 KW 0,62



PERFORMANCE AND DIMENSIONS								
Model	Free speed Turns / 1'	Speed at maximum Power Turns / 1'	Maximum torque Power Nm	Couple at the cue nm	Stall torque Nm	Quote "L" mm	Weight Kg.	Consumption l/sec
	6,3 bar	6,3 bar	6,3 bar	6,3 bar	6,3 bar			
	HP 0,83	HP 0,83	HP 0,83	HP 0,83	HP 0,83			
M55N1	22000	11000	0.54	0.81	1.1	137	1	14.6
M55N1A	5600	2800	2.1	3.2	4.2	137	1.4	14.6
M55N1B	4400	2200	2.7	4.0	5.4	137	1.40	14.6
M55N1C	3600	1800	3.3	4.9	6.6	137	1.40	14.6
M55N1D	1300	650	9.1	14	18	175.5	1.80	14.6
M55N2	1000	500	12	18	24	175.5	1.80	14.6
M55N2A	800	400	15	22	30	175.5	1.80	14.2
M55N2B	600	300	20	30	39	175.5	1.80	14.2
M55N2C	500	250	24	36	47	175.5	1.80	14.2
M55N2D	210	105	56	84	112	278.7	5.5	14.6
M55N3	150	75	76	119	158	278.7	5.5	14.6
M55N3A	100	50	118	177	236	278.7	5.5	14.6
M55N3B	50	25	236	354	472	278.7	5.5	14.6
M55N3C	32	16	370	555	740	278.7	5.5	14.6

AVAILABLE VERSIONS

F - Flange fixing
A - Atex Certification

VERSIONS NOT AVAILABLE

N - No lube
R - Reversible

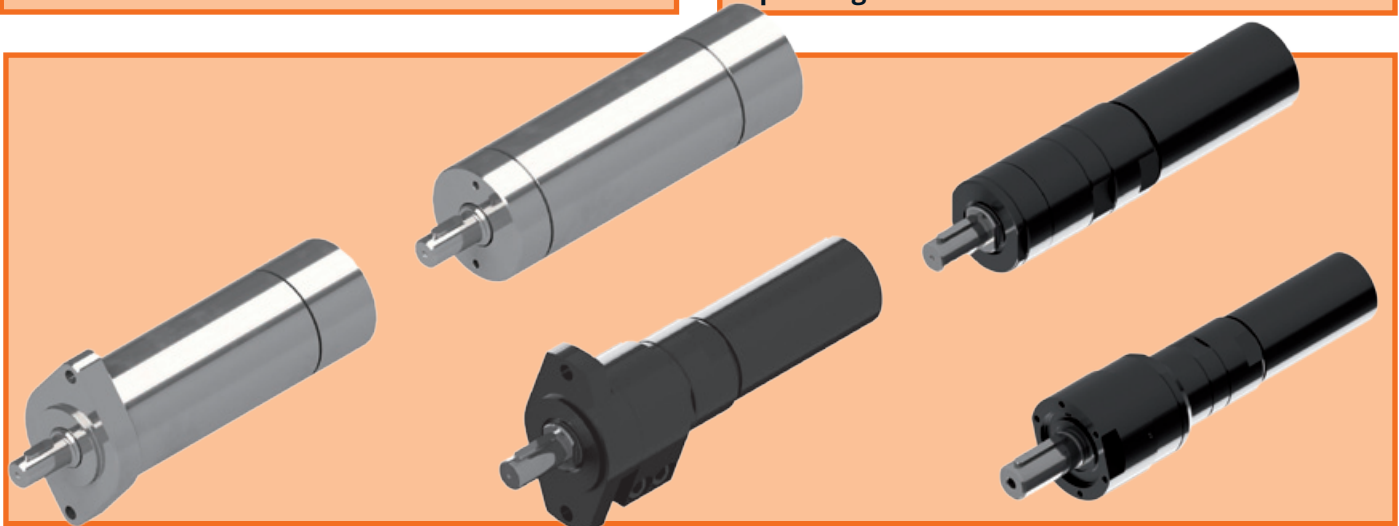
Lubrication: 2-3 drops/1' in continuous service
4-6 drops/1' in intermittent service

Filtration: 64 µ o migliore

Radial load: 2100 N max da N1 a N2C
3900 N max da N2D a N3C

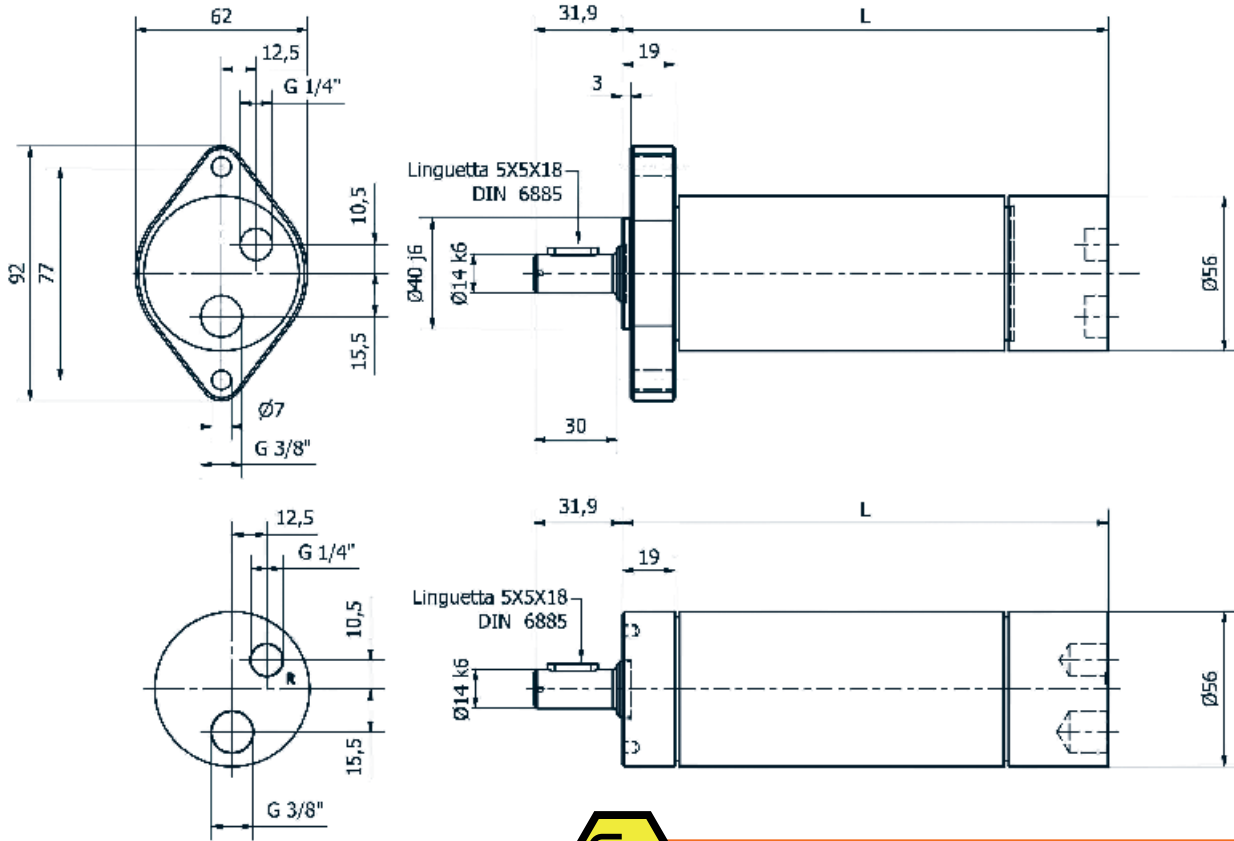
Axial load: 1500 N max da N1 a N2C
1800 N max da N2D a N3C

Temperature operating: da -20°C a +80°C

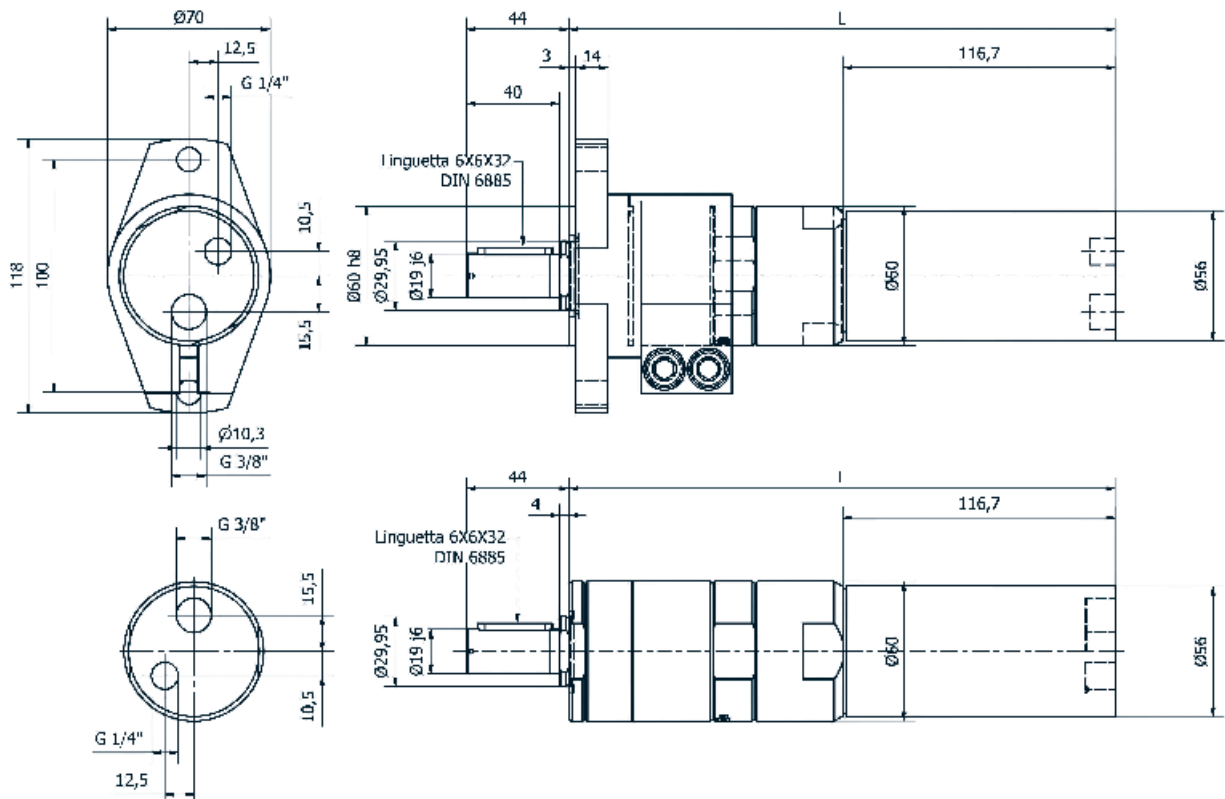




MODELS DA M55N1 A M55N2C



MODELS DA M55N2D A M55N3A



MODELS DA M55N3B A M55N3C

