



SERIES M62..... - HP 0,83 KW 0,62

PERFORMANCE AND DIMENSIONS								
Model	Free speed Turns / 1'	Speed at maximum Power Turns / 1'	Maximum torque Power Nm	Couple at the cue nm	Stall torque Nm	Quote "L" mm	Weight Kg.	Consumption l/sec
	6,3 bar	6,3 bar	6,3 bar	6,3 bar	6,3 bar			
	HP 0.83	HP 0.83	HP 0.83	HP 0.83	HP 0.83			
M62R1	17200	8600	0.70	1	1.4	135.5	1.2	14
M62R1A	4800	2400	2.4	3.7	4.8	135.5	1.2	14
M62R1B	3780	1890	3.1	4.6	6.2	135.5	1.2	14
M62R1C	2000	1000	5.9	8.8	12	135.5	1.2	14
M62R1D	1050	525	11	16	22	170.5	1.6	14
M62R2	740	370	16	23	31	170.5	1.6	14
M62R2A	460	230	25	37	50	170.5	1.6	14
M62R2B	240	120	47	71	94	219	2.5	14
M62R2C	140	70	81	122	162	219	2.5	14
M62R2D	100	50	114	171	228	219	2.5	14
M62R3	56	28	197	296	394	275.5	5.5	14
M62R3A	40	20	277	416	554	275.5	5.5	14

AVAILABLE VERSIONS

- N** - No lube
- F** - Flange fixing
- A** - Atex Certification

VERSIONS NOT AVAILABLE

- N** - Non-reversible (right-hand rotation)
- S** - Non-reversible (counterclockwise rotation)

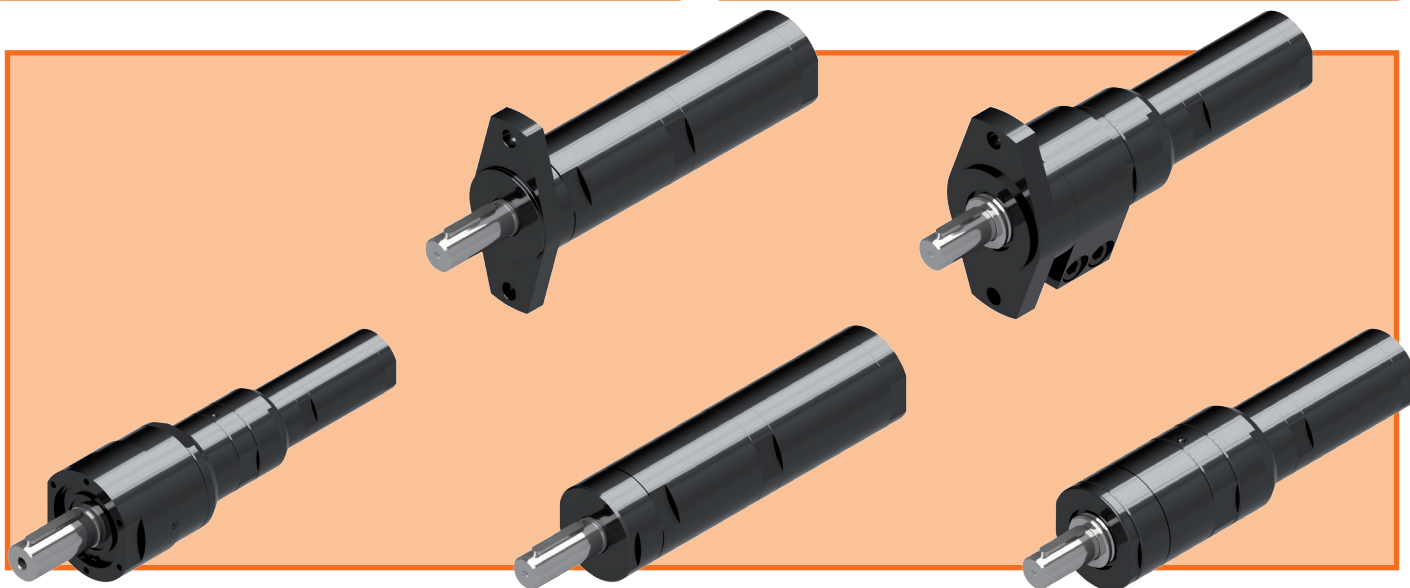
Lubrication: 2-3 drops/1' in continuous service
4-6 drops/1' in intermittent service

Filtration: 64 µ o migliore

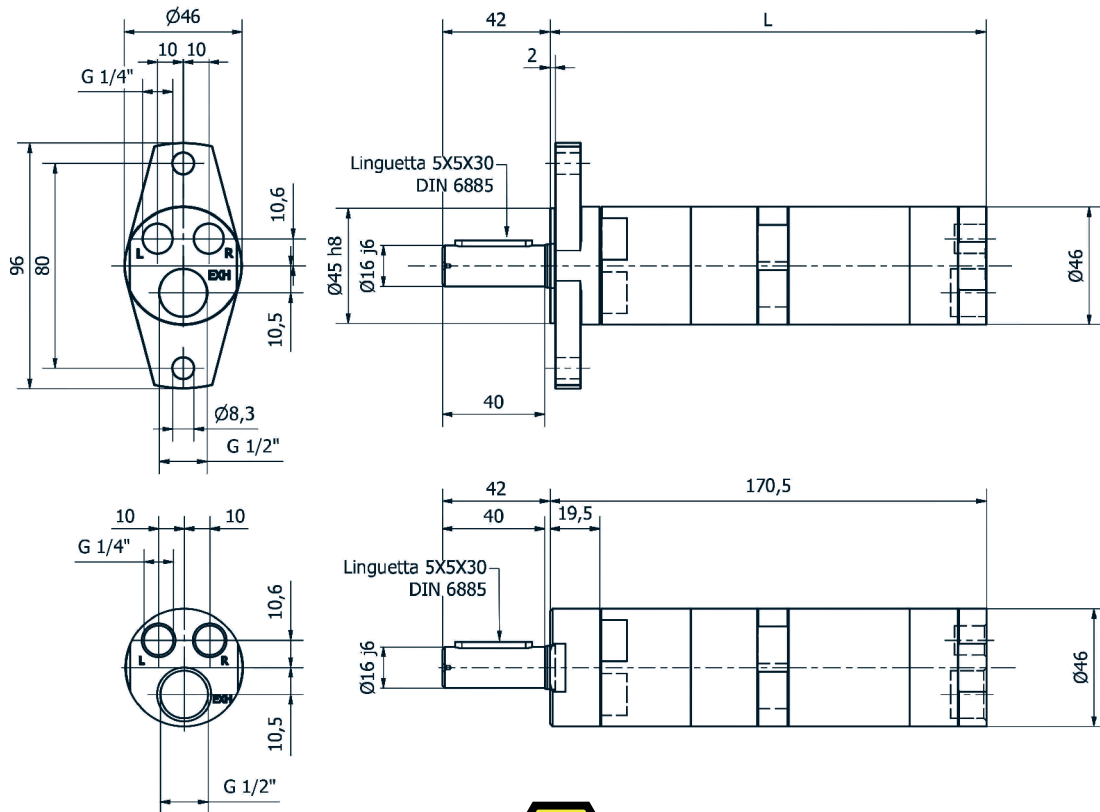
Radial load: 1400 N max da R1 a R2A
3900 N max da R2B a R3A

Axial load: 1200 N max da R1 a R2A
1800 N max da R2B a R3A

Temperature operating: da -20°C a +80°C



MODELS DA M62R1 A M62R2A



MODELS DA M62R2B A M62R2D

