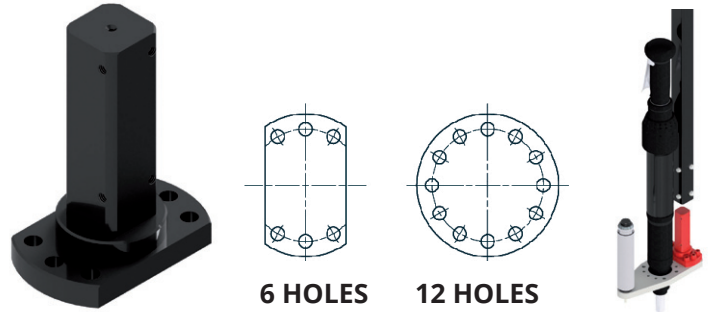


WRIST ACCESSORIES

FIXED VERTICAL

This flange is used as joint between the various types of wrists, brakes and vertical rods; moreover it is used to set a suitable limit to react to the torque caused by the tool.



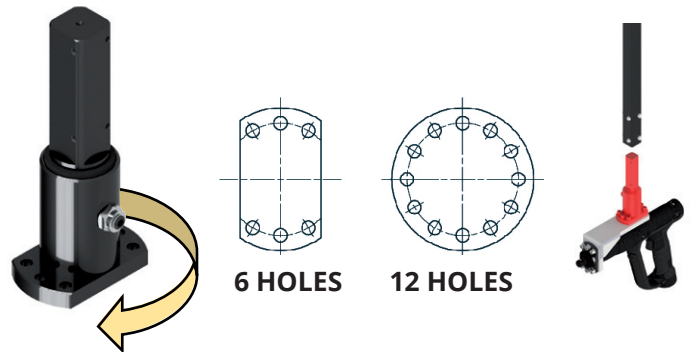
6 HOLES

12 HOLES

WRIST MODEL	TORQUE LIMIT	AVAILABLE ACCESSORY FOR EACH ARM	NUMBER OF FLANGE HOLES	VERTICAL ROD	WEIGHT
	Nm	Size			Kg.
PFV300000	150	1	6	30X30	0,5
PFV300003	150	1	12	30X30	0,5
PFV400000	500	2-3	6	40X40	1,3
PFV400003	500	2-3	12	40X40	1,3
PFV500000	1000	3-5	6	50X50	3
PFV500003	1000	3-5	12	50X50	3
PFV600000	2000	5	6	60X60	4,5
PFV600003	2000	5	12	60X60	4,5

VERTICAL REVOLVING

This type of wrist is used to produce a clearance on the vertical axis "Z" which allows for 360° rotation, thanks to a pair of radio-axial bearings, and is fitted with a 360° rotation limit system.



6 HOLES

12 HOLES

WRIST MODEL	TORQUE LIMIT	AVAILABLE ACCESSORY FOR EACH ARM	NUMBER OF FLANGE HOLES	VERTICAL ROD	WEIGHT
	Nm	Size			Kg.
PGV300000	150	1	6	40X40	1,5
PGV300003	150	1	12	40X40	1,5
PGV400000	500	2-3	6	50X50	2,3
PGV400003	500	2-3	12	50X50	2,3
PGV500000	1000	3-5	6	60X60	4
PGV500003	1000	3-5	12	60X60	4
PGV600000	2000	5	6	40X40	5
PGV600003	2000	5	12	40X40	5