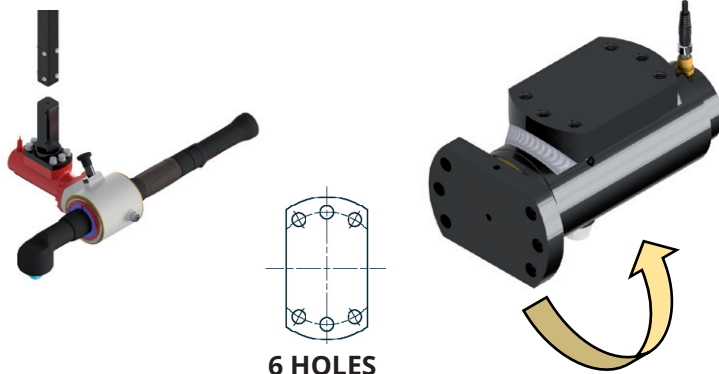


6 HOLES

HORIZONTAL REVOLVING

This type of wrist allows to release the perpendicular axis to the tool body by making a rotation. all versions are fitted with a 330° rotation limit, or at a required angle to be notified when making the purchase.

WRIST MODEL	TORQUE LIMIT	AVAILABLE ACCESSORY FOR EACH ARM	NUMBER OF FLANGE HOLES	VERTICAL ROD	WEIGHT
	Nm	Size			Kg.
PGO310000	150	1	6	30X30	3
PGO410000	500	2-3	6	40X40	5
PGO510000	1000	3-5	6	50X50	7,5
PGO610000	2000	5	6	60X60	10



6 HOLES

24 LOCK PNEUMATIC HORIZONTAL REVOLVING

This type of wrist, normally locked, allows for releasing the perpendicular axis to the tool body, through the relevant pneumatic control (using a lever or button valve located close to the tool), making possible a 360° rotation with a 15° connection level. Note: When the tightening axis is parallel to the rotation of the wrist, an electric induction safety sensor prevents the tool from being activated if there is no connection.

WRIST MODEL	TORQUE LIMIT	SENSORE INDUTTIVO	AVAILABLE ACCESSORY FOR EACH ARM	NUMBER OF FLANGE HOLES	VERTICAL ROD	WEIGHT
	Nm		Size			Kg.
PLO320000	150	NO	1	6	30X30	5
PLO321000	150	SI	1	6	30X30	5
PLO420000	500	NO	2-3	6	40X40	5
PLO421000	500	SI	2-3	6	40X40	5
PLO520000	1000	NO	3-5	6	50X50	8,5
PLO521000	1000	SI	3-5	6	50X50	8,5