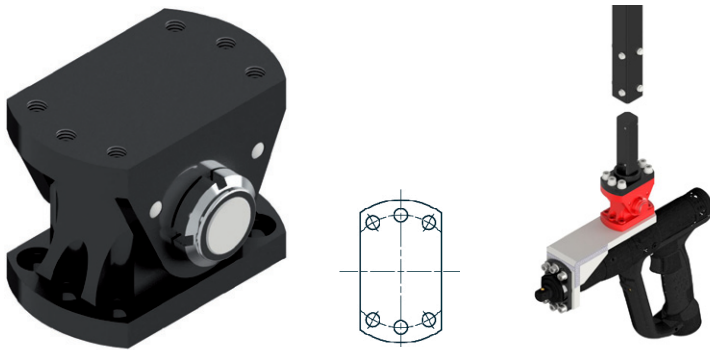


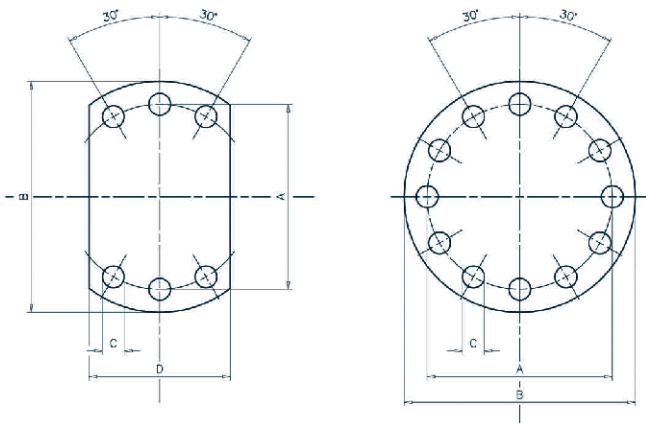
SWINGING DEVICE

This type of wrist is used for small oscillations by 10° or 20°.



6 HOLES

WRIST MODEL	TORQUE LIMIT	AVAILABLE ACCESSORY FOR EACH ARM	NUMBER OF FLANGE HOLES	GRADI DI OSCILLAZIONE	VERTICAL ROD	WEIGHT
	Nm	Size				
DPO300010	150	1	6	10°	30X30	0,8
DPO300020	150	1	6	20°	30X30	0,8
DPO400010	500	2-3	6	10°	40X40	1,8
DPO400020	500	2-3	6	20°	40X40	1,8
DPO500010	1000	3-5	6	10°	50X50	3,5
DPO500020	1000	3-5	6	20°	50X50	3,5
DPO600010	2000	5	6	10°	60X60	5,2
DPO600020	2000	5	6	20°	60X60	5,2



FLANGE FIXING HOLE - SIZES

The drawings below show the main levels which are required for interfacing with the various wrist sizes.

FLANGE MODEL	VERTICAL ROD	DRILLING ALTITUDE			
		A	B	C	D
30	30X30	Ø55	Ø70	N°6 HOLES Ø 6,5 N°12 HOLES Ø 6,5	40
40	40X40	Ø72	Ø90	N°6 HOLES Ø 8,5 N°12 HOLES Ø 8,5	55
50	50X50	Ø94	Ø115	N°6 HOLES Ø 10,5 N°12 HOLES Ø 10,5	75
60	60X60	Ø110	Ø135	N°6 HOLES Ø 12,5 N°12 HOLES Ø 12,5	85